

**UPHOLSTERED SEATING**

**Plymold**

More than you expect. Exactly what you need.





## Nobody designs and builds upholstered seating better than Plymold.

Our nearly fanatical attention to detail provides you with the best looking, longest lasting product possible. That means you get a return on your investment that delivers rewards, year after year.

### How our craftspeople continuously deliver the best.

We begin by using only the best possible materials, but it's the details – improvements others overlook – that make our product so outstanding. For example, after we apply the foam to the seat we vacuum out all of the air. This allows us to position the cover properly, fit it tightly and evenly, attach it, and then release air back in for plush, uniform comfort.

We also use a high performance polyester monofilament webbing support system rather than traditional spring construction for added durability, resiliency and comfort. (But no added cost.) On our button tufting, each pleat must be positioned by hand and every button pulled through by one of our expert artisans to create the perfect look.

We invite you to experience exceptional upholstered booths, benches, chairs, loveseats, and sofas that fit every price point – from our Value line to our mid-range Classic line to our elegant Roma, Chatfield and Kingston Premier lines. Don't see what you want? We'll custom design and build it for you.

Precisely engineered. Durable enough to withstand the most abusive environments. Unique design and maintenance elements built into each attractive, distinctive product.

Each Plymold upholstered seating line is carefully constructed and hand assembled by people who have practiced their craft for decades. From cutting and sewing through final cleaning before shipping, nobody takes more care in creating the finest upholstered seating you can buy.

## Plymold. More than you expect, exactly what you need.

We've become well known for building the best contour seating in the industry. But we're so much more. Plymold has kept up with the marketplace – sometimes leading the way – and that's why we offer a complete line of furnishings that include upholstered seating, wood booths, outdoor furnishings, and even custom



millwork. Our people and our production capabilities can produce whatever you need to create your décor.

We design and build the very best upholstered seating; using the highest production standards; insisting on consistent quality control; performing thorough, continuous testing; and achieving an impressive on-time delivery record of 99+%.

## We don't make you choose between beauty, durability and budget.

Plymold has created a plywood-based line of upholstered seating products as well as a series of hardwood designs. They're all created to deliver the most durable seating possible and provide you with an attractive, affordable addition to your overall design – from entry level to mid-price to high end. Turn the page and see what kind of upholstered seating Plymold has in store for you.



# Built to take everything but a big part of your budget.

## Plymold's Value Line

Our Value line is built to be affordable, but it's also built to last. And it's designed to add an attractive, stylish look to any environment. The standard products in our Value line feature:

- Plain inside back
- One finished end
- Upholstered top cap
- Upholstered end panel
- Unfinished outside back
- Black vinyl on lower base
- Standard grade vinyl (one color) on entire booth
- Second color may be added (additional charge)
- Replaceable back pad, upholstered top cap and end panel secured with Bakerloc® fasteners – allows easy repair
- Available in standard heights, lengths, singles, doubles, wall benches and circles
- Removable seat cushion for easy cleaning



**Value Line**  
3600 model  
Single or Double  
styles



**Value Line**  
4200 model  
Single or Double  
styles

## Value/Classic Construction Features:

### Replaceable Back Pad, Top Cap & End Panel

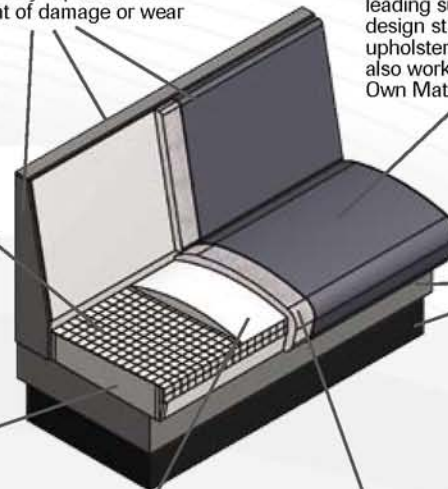
Allows for easy replacements in the event of damage or wear

### Upholstery Cover

Plymold offers a wide selection of upholstery options from today's leading suppliers. Our in-house design staff can assist with upholstery selections. We can also work with Customer's Own Material (COM)

### FR Sheet Webbing

High strength FR polyester monofilament webbing maintains the same resiliency year after year for comfort and durability. Our sheet webbing provides superior performance when compared to sinuous spring construction. Our webbing design easily withstands the 100,000-cycle drop test established by BIFMA



### Upper Base & Lower Base

Vinyl covered upper & lower bases are standard. Other options such as hard rubber, solid wood, or raw are available via special quote

### Plywood Frame

Value/Classic frames constructed of multi-ply exterior grade plywood

### High Density FR Foam Pad

Contoured for a comfortable sit and even distribution of weight along the seat

### High Density FR Foam Wrap

Provides the final touch before upholstery and ensures the deep comfort expected in a deluxe seat

## Plymold's Classic Line

The Classic line offers a traditional look constructed with serious attention to detail. The standard products in our Classic line feature:

- Special inside back treatment — vertical or horizontal channels, contrasting V-back, headroll
- One finished end
- Upholstered top cap
- Upholstered end panel
- Finished outside back
- Black vinyl on lower base
- Standard grade vinyl (one color) on entire booth
- Second color may be added (additional charge)
- Replaceable back pads, upholstered top cap and end panel secured with Bakerloc® fasteners – allows easy repair
- Available in standard heights, lengths, singles, doubles, wall benches and circles
- Removable seat cushion for easy cleaning



**Classic Line**

4200 model  
Single or Double  
styles



**Classic Line**

3600 model  
Single or Double  
styles

Booth corner units and wall bench units also available

## Plymold's Upholstered Lounge Seating

A distinctive look for lobbies or waiting areas, lounges or any relaxed food and beverage setting. And we can customize your look through upholstery selections.

- Plywood frame construction
- High resiliency FR foam padding
- High strength FR polyester monofilament sheet webbing suspension system for more comfort and durability
- Removable seat cushion can be rotated 180 degrees to promote even wear
- Open-style framing is healthier and easier to clean
- No padded decking to absorb liquids, which eliminates mold and mildew problems
- Spills drop right to the floor for easy clean up
- 4" high pyramidal wood legs
- Flat or rounded arms

Model 6192R

Love seat with rounded arms



Model 6191R

Chair with rounded arms



Model 6193R

Sofa with rounded arms

## Upholstered Lounge Seating Construction Features:

### Back

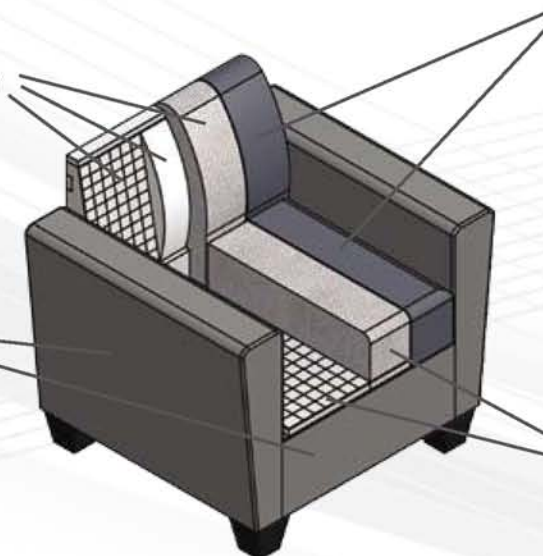
High strength polyester monofilament FR sheet webbing stretched over frame, topped with high resiliency FR contoured foam pad and wrapped with high resiliency FR foam wrap

### Upholstery Cover

Plymold offers a wide selection of upholstery options from today's leading suppliers. Our in-house design staff can assist with upholstery selections. We can also work with Customer's Own Material (COM)

### Arm & Front Band

Wrapped with high density FR foam. Optional flat arm top or rounded arm top



### Seat

High strength polyester monofilament FR sheet webbing machine stretched over plywood "donut" substrate topped with high resiliency FR foam

### Plywood Frame

Chair, love seat, sofa frames constructed of multi-ply exterior grade plywood

# Craftsmanship is alive and well at Plymold.

## The Plymold Premier Lines: Roma, Chatfield and Kingston.

Our Premier lines feature traditional hardwood construction and tailored details that you'll notice immediately. The upholstery attaches directly to the frame, allowing us to create a variety of designs for the back, including diamond and biscuit tufting. The look is versatile and eye-catching and the comfort is superb.

The standard products in our Premier lines feature:

- Hardwood frame construction
- Traditional, hand crafted upholstery
- Removable top caps and end panels secured with Bakerloc® fasteners – allows for easy repair
- Available in singles, doubles, wall benches and circles
- Customized heights, lengths, shapes, and upholstery treatments are available by special quote
- Removable seats for easy cleaning



Kingston Model

Available in 42" heights  
Single or Double styles.



Roma Model

Available in 36" or 42" heights  
Single or Double styles.



Chatfield Model

Available in 36" or 42" heights  
Single or Double styles.

## Premier Construction Features:

### Top Cap & End Panel

Removable top cap and end panel system allows for easy repairs in the event of damage or wear

### Hardwood Frame

Our frames feature all kiln-dried hardwood for strength and durability

### FR Sheet Webbing

High strength FR polyester monofilament webbing maintains the same resiliency year after year for comfort and durability. Our sheet webbing provides superior performance when compared to sinuous spring construction. Our webbing design easily withstands the 100,000-cycle drop test established by BIFMA

### Glued and Reinforced Corners

### Upholstery Cover

Plymold offers a wide selection of upholstery options from today's leading suppliers. Our in-house design staff can assist with upholstery selections. We can also work with Customer's Own Material (COM)

### Upper Base & Lower Base

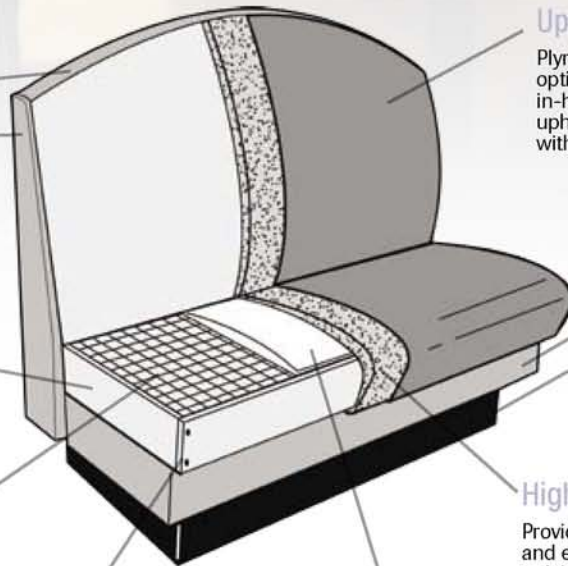
Vinyl covered upper & lower bases are standard. Other options such as hard rubber, solid wood, or raw are available via special quote

### High Density FR Foam Wrap

Provides the final touch before upholstery and ensures the deep comfort expected in a deluxe booth

### High Density FR Foam Pad

Contoured for a comfortable sit and even distribution of weight along the seat



Booth corner units and wall bench units also available.

## Plymold Custom Upholstered Seating.

### Build what you dream.

Don't see exactly what you want in our standard upholstered seating lines? Talk with us about creating a custom design – everything from adapting the products in our Premier lines to a completely original look. We'll combine our design experience with decades of manufacturing and structural expertise and work with you to ensure that your custom design is attractive, well constructed and durable. Ask us about our custom upholstered seating capabilities. We're ready to listen.



Get to know everything Plymold can do for you.



To find out more about Plymold upholstered booth seating or the rest of our product line, visit us at [www.plymold.com](http://www.plymold.com) or call 1.800.PLYMOLD (759.6653).

615 Centennial Drive, Kenyon, MN 55946

Phone: 1.800.PLYMOLD (759.6653)

Fax: 507.789.8315

Email: [seating@plymold.com](mailto:seating@plymold.com)

Website: [www.plymold.com](http://www.plymold.com)

**Plymold**

More than you expect. Exactly what you need.

©2008 Plymold. Printed in the U.S. PBR0074 Nov 2008